

Landscape Timber Screw

Head Style: Large Washer Head

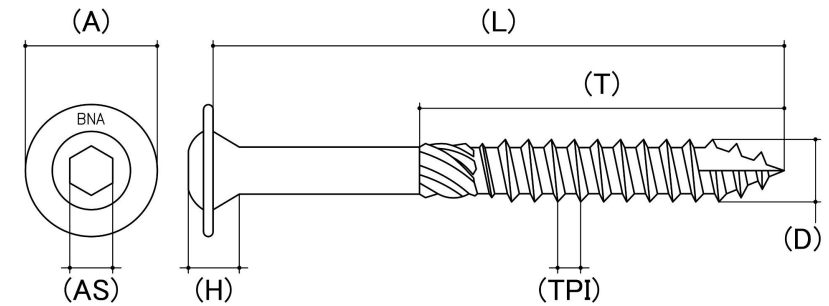
Drive Type: Internal Hex

Material: Hardened Steel

Class Grade: Class 3 / 4 / B8

Finish: Galvanised

Corrosion Protection Level: Excellent



*CAD drawings shown for graphic representation only.**

Size	Thread Pitch (TPI)	Thread Type	Head Diameter (A) (mm)		Head Height (H) (mm)		Driver Bit Size (AS) (mm)	sku (qfind)
			Min	Max	Min	Max	Nom	
16g (6.80mm)	8	Coarse	15.40	15.70	3.60	3.80	5.00	06W16C3

Disclaimer:

Dimensional data and technical information was obtained from publicly available sources and not acquired through standard agencies. It has been completed and compiled for reference purposes only; where discrepancies are found they are subject to change without notice. Bolt & Nut Australia makes no warranties or representations regarding the accuracy and validity of the compiled information and data. Contact the relevant standard authorities for accurate and detailed information.

* CAD drawings may not reflect diameter, thread length or overall length.

© Bolt & Nut Australia Pty Ltd. All rights reserved.

Version: 18 Mar 2024